



Opendoor RFID Electronic Lock System

Tel: 08443-510805
Email: Sales@keystep.co.uk
www.keystep.co.uk



Remote Access Reader

The Opendoor access control Reader is a wall mounted unit that has been designed to work in conjunction with a range of our Key Card Locks and Mifare Key Cards.

Used to secure external doors including glass panelled doors, steel doors and UPVC the Opendoor access control reader operates with the same system as the guest room key card locks.

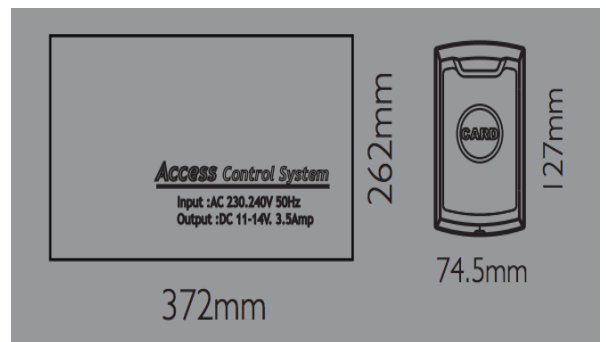
The key card issued to the guest for their room will also activate the access control reader; therefore only one card is needed to gain access through the entrance and the allocated guest room.

The Opendoor access control wall reader is utilised on public doors which may be subject to medium/high traffic, i.e. Front Entrance. Typically the reader will be wall mounted within close proximity of the door and would control an electro-magnetic lock or such other suitable device.

The reader communicates with a controller which in turn instructs the electro-magnetic lock to lock/unlock the door. The controller also provides the reader with a 12 volt power supply. The wall reader and controller are hard wired units, requiring electrical installation and a 240 volt mains supply. A wiring diagram is available to aid with installation.

Lift Control System

The controller can be interfaced with the majority of lifts and elevators, including CISA and Schindler. Our reader is installed discreetly with the lift control panel, either in the manufacturing process or as a retrofit.



Opendoor RFID Electronic Lock System

Tel: 08443-510805
 Email: Sales@keystep.co.uk
www.keystep.co.uk