



Opendoor RFID Electronic Lock System

Tel: 08443-510805
Email: Sales@keystep.co.uk
www.keystep.co.uk



Infinity RFID Lock Set

The Opendoor Infinity lock set utilises RFID technology to offer seamless 'contactless' operation, enhancing convenience and ease of use. Its traditional yet modern design lends itself to new schemes and refurbishment projects - a varying selection of lock cases, fore ends, keep plates and escutcheons aid a simple upgrade from older mechanical keyed systems or outdated, redundant mag-swipe systems. Comes with the option of Bluetooth mobile phone access.

Applications:

Hotel, spa resort & Leisure complex
 Student accommodation & University campus
 Residential accommodation
 Commercial office block

Features:

High security & tamper proof design
 Security deadbolt for added privacy
 Emergency one action egress from inside
 Latch alarm for improper door closing
 Fire rated
 Smartphone compatible

Accreditations:

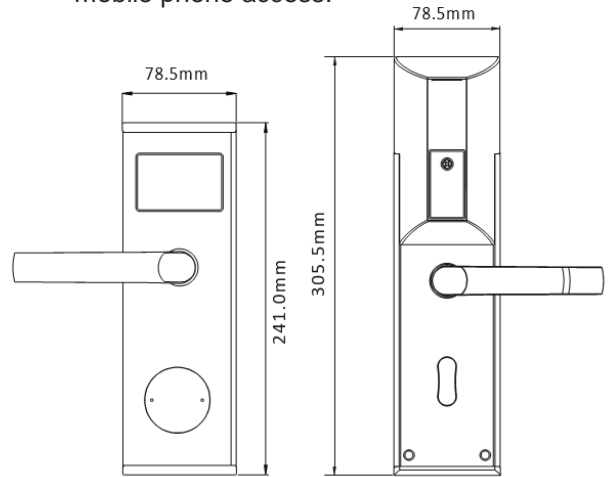
EN 14846:2008 - Electromechanically operated locks & striking plates

EN 50371:2012 - R&TTE, low-power human RF exposure & European EMC, LVD directive

EN 1634-1:2014 - Fire resistance & smoke control for a minimum of 30/60 minutes

Audit/Data trial function:

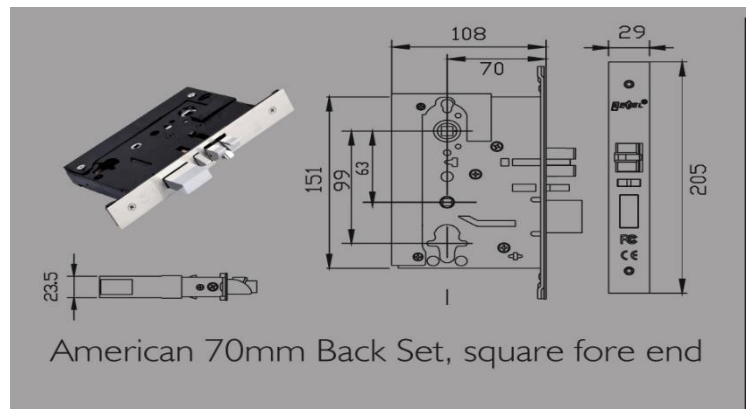
The lock set has the ability to store 1000 transactions of which token (card, fob, wristband, mechanical key etc.) opened the door at what time & date. In addition, the lock set also records when the door was opened from inside.



Colour Finish Options:



Lock Case Options:



Opendoor RFID Electronic Lock System

Tel: 08443-510805
 Email: Sales@keystep.co.uk
www.keystep.co.uk