



Opendoor RFID Electronic Lock System

Tel: 08443-510805
Email: Sales@keystep.co.uk
www.keystep.co.uk

Identity RFID Lock Set



Applications:

Hotel, spa resort & Leisure complex
 Student accommodation & University campus
 Residential accommodation
 Commercial office block

Features:

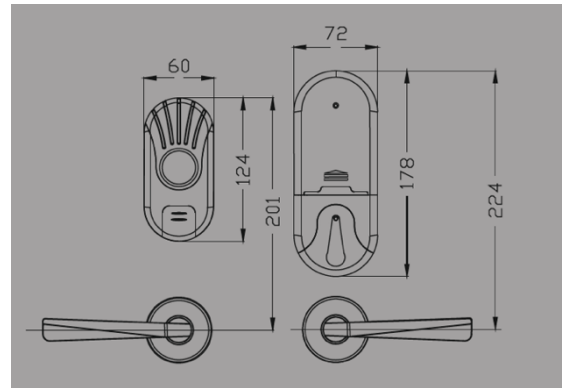
High security & tamper proof design
 Security deadbolt for added privacy
 Emergency one action egress from inside
 Latch alarm for improper door closing
 Fire rated
 Smartphone compatible

Accreditations:

EN 14846:2008 - Electromechanically operated locks & striking plates

EN 50371:2012 - R&TTE, low-power human RF exposure & European EMC, LVD directive

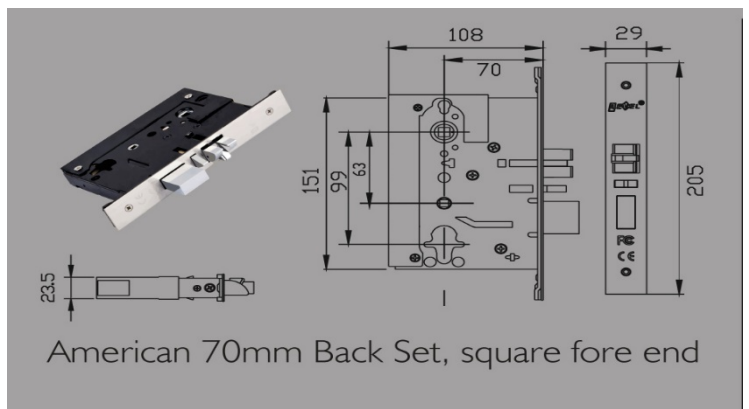
EN 1634-1:2014 - Fire resistance & smoke control for a minimum of 30/60 minutes



Audit/Data trial function:

The lock set has the ability to store 1000 transactions of which token (card, fob, wristband, mechanical key etc.) opened the door at what time & date. In addition, the lock set also records when the door was opened from inside.

Lock Case Options:



Opendoor RFID Electronic Lock System

Tel: 08443-510805
 Email: Sales@keystep.co.uk
www.keystep.co.uk